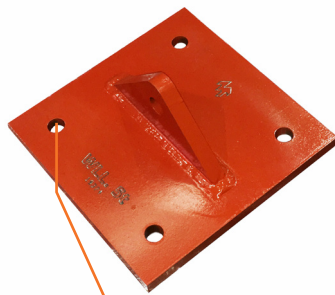


Reid™ Lifting Plate - SLP



Reid Lifting Plates are typically used in instances where a lifting anchor has been overlooked or missing.

It must be used where the load direction is aligned with the cleat and minimal side load is applied.



Requires 4x BraceSet™ anchors

The Reid Lifting Plate requires 4x BraceSet™ anchors

(Product Code: BA20115) for installation into concrete.



Compliant to AS 3850.1:2015

Go to www.reid.com.au for a copy of the BraceSet AS3850.1:2015 compliance document.

The Reid Lifting Plate is marked with its rated Working Load Limit - 5T.

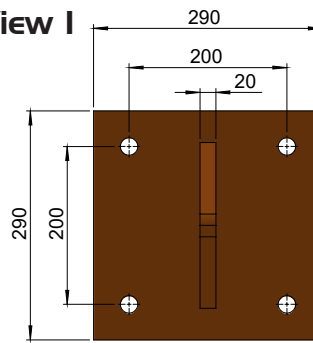
The Working Load Limit of 5t @20 MPa (when positioned away from an edge) when the lift design is certified by the ramsetreid® Engineering department.

Please note:

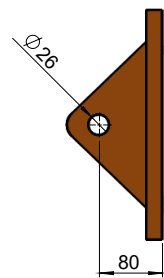
The Working Load Limit is for use in face lift type in-plane lifts where the plate has minimal side loads.

Product Specification - Dimensions Of SLP

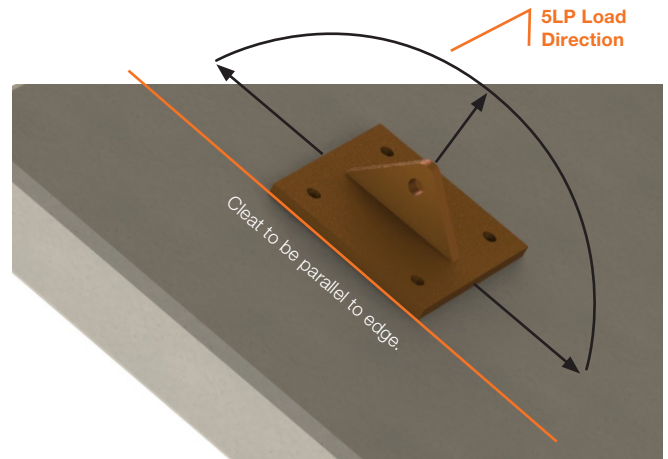
View 1



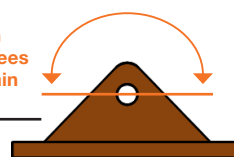
View 2



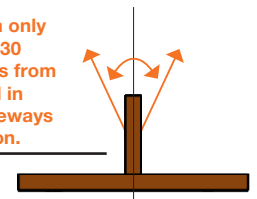
Product Specification - SLP Cleat Position and Load Direction



Lifting plate can be loaded in 180 degrees in the main direction



but can only have ± 30 degrees from vertical in the sideways direction.



Reid™ Lifting Plate - 5LP



Reid Lifting Plate - 5LP Product Code

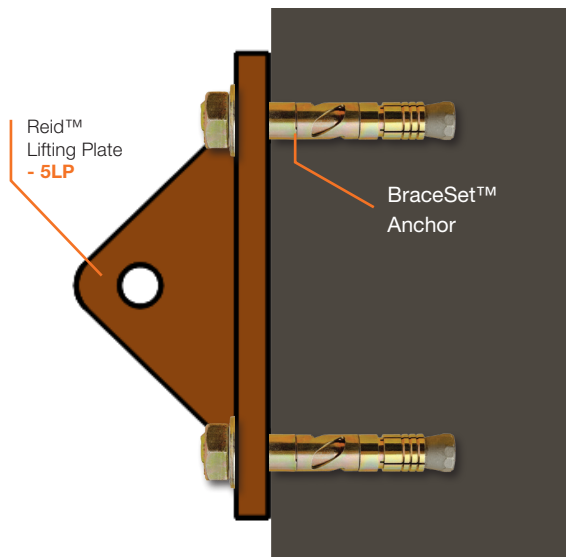
Product Code	Description	Capacity
5LP	5 tonne Reid Lifting Plates	5 Tonne

Please note:

Requires 4x BraceSet™ anchors (Product Code: BA20115) installed as per the BraceSet Technical Data Sheet

Installation (& what to do if your drill strikes reinforcing in the panel)

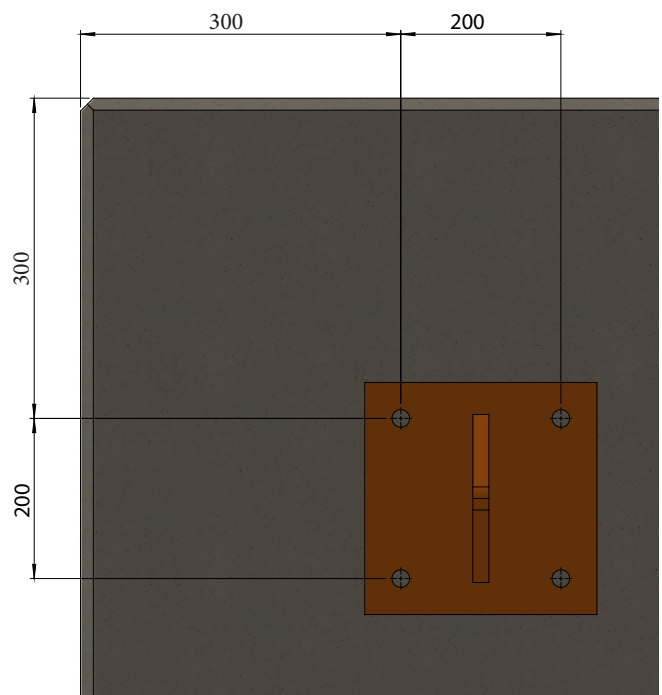
Position the 5LP lifting plate in the specified location and use the plate as a template to drill the holes to the required depth.



If reinforcing is struck and the required depth cannot be achieved, relocate the lifting plate 50mm from the original position (maintaining the minimum edge distances) and redrill the holes.

Insert the BraceSet anchors and tighten to the specified torque.

Product Specification - Minimum edge distances



Please note:

It is critical that there is 300mm minimum edge distances for the 5LP.

**Refer to the
BraceSet Tech data
sheet for further
information and
detailed installation
instructions.**